

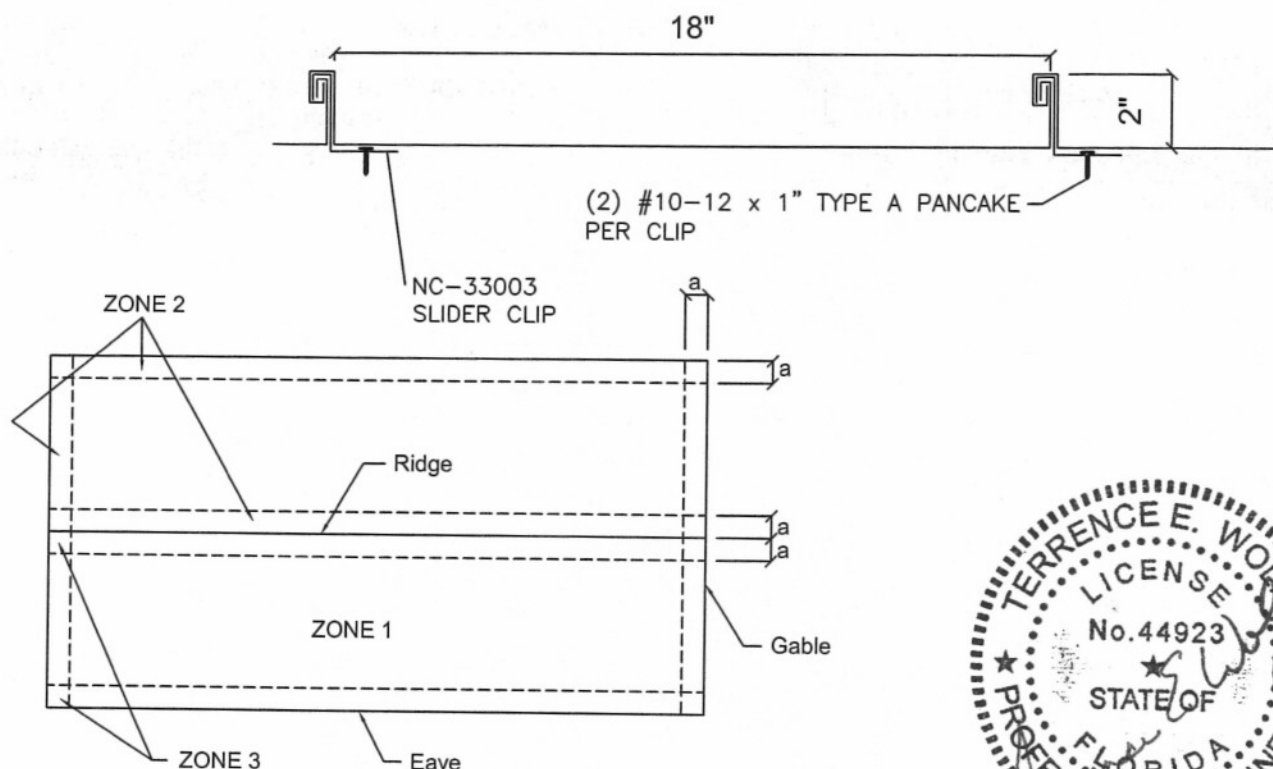
24 GA. GULF COAST MECH. SEAM LOAD TABLE OVER PLYWOOD

GULF COAST

Buildings having a Roof Mean Height \leq 20'-0"; Roof Slope: 2"/12" - 6"/12" Gable Roof
Wind Speeds 110-140 mph, Exp C, I = 1.0, based on FLORIDA BUILDING CODE 2007

2" GULF COAST MECHANICAL SEAM, 18" WIDE, 24 GA. CLIP SPACING						
ZONE	FASTENER	SUBSTRATE	WIND SPEED ZONE			
			110	120	130	140
			ON CENTER SPACING	ON CENTER SPACING	ON CENTER SPACING	ON CENTER SPACING
ZONE 1	(2) #10-12 x 1" PER CLIP	15/32" CDX/ 19/32" CDX	24"	24"	24"	24"
ZONE 2	(2) #10-12 x 1" PER CLIP	15/32" CDX/ 19/32" CDX	24"	24"	24"	12"
ZONE 3	(2) #10-12 x 1" PER CLIP	15/32" CDX/ 19/32" CDX	12"	12"	12"	12"

- 1) **PANEL DESCRIPTION:** 2" MECH. LOCK STANDING SEAM, MIN. 24 GA. STEEL, 18" MAX WIDTH, 2" TALL RIB, DOUBLE LOCK SEAM
- 2) **PANEL ROLLFORMER:** NEW TECH MACHINERY CORP.
- 3) **PANEL FASTENER:** (2) #10-12 x 1" PANCAKE TYPE A PER CLIP.
- 4) **PANEL CLIP:** NC-33003 SLIDER CLIP
- 5) **MAXIMUM ALLOWABLE PANEL UPLIFT PRESSURE:** -71.0 PSF @ 2'-0" O.C. & -108.5 PSF @ 1'-0" O.C., PRESSURES BASED ON UL 580 / 1897 TESTING.
- 6) **FRAMING:** MIN. 15/32" PLYWOOD, DESIGNED IN ACCORDANCE WITH FBC 2007.



Note: Dimension (a) is defined as 10% of the minimum width of the building or 40% of the mean height of the roof, whichever is smaller, however, (a) cannot be less than either 4% of the minimum width of the building or 3 feet.



State of Florida
C.O.A.
26778

NOV 08 2008